



# TOYO

## CQD15S

### Electric Stand-up Reach Truck 1.5t

- Best Choice for Stacking in Narrow Aisles & High Racking;
- Stand-on Operation Provides Broader View;
- Electric Power Steering Control, Comfortable and Efficient;
- None-floating drive system, solid stable in high position



#### PT. BADAK PRIMA LESTARI

Kawasan Industri Millenium, Jl. Millenium 15 Blok I-2 No. 3A, Desa Peusar  
Kecamatan Panongan, Kabupaten Tangerang, Banten 15710 INDONESIA  
Tel: +62 59986616 / 59986630 , Fax.: +62 59986847  
E-mail: sales@badakprima.co.id | www.badakprima.co.id

# Electric Reach Truck 1.5t

## CQD15S

Distinguishing Mark					
Manufacturer				TOYO	
Model Designation			CQD15S	CQD16RV	CQD20RV
Drive Unit				Battery	
Operator Type			Standing	Seated	
Rated Capacity	Q	t	1.5	1.6	2
Load Center Distance	c	mm		600	
Wheelbase	y	mm	1504	1454 <sup>①</sup>	1524
Weight					
Service Weight		kg	2370 <sup>①</sup>	2940 <sup>①</sup>	2945
Axle Loading, Fork Advanced, Unladen Driving Side/ Loading Side		kg	1229/1230	1700/1310	
Axle Loading, Fork Retracted, Unladen Driving Side/ Loading Side		kg	1621/846	1990/1020	
Axle Loading, Fork Advanced, laden Driving Side/ Loading Side		kg	490/3445	820/3820	
Axle Loading, Fork Retracted, laden Driving Side/ Loading Side		kg	1510/2416	1640/3000	
Types, Chassis					
Tyre Type Driving Wheels/Loading Wheels				Polyurethane	
Tyre Size, Driving Wheels (diameterxwidth)		mm	260x105	φ343x140	
Tyre Size, Loading Wheels (diameterxwidth)		mm	254x114	φ310x118 <sup>②</sup>	
Tyre Size, Caster Wheels (diameterxwidth)		mm	178x73	φ102x51 <sup>②</sup>	
Wheels, Number Driving, Caster/loading (x+drive wheels)			1, 2, 2	1x, 2 <sup>②</sup>	
Track Width, Front, Driving Side	b10	mm	700	0	
Track Width, Front, Loading Side	b11	mm	974	1148 <sup>②</sup>	
Dimensions					
Tilt Of Mast/Fork Carriage Forward/Backward		mm	2/4	2/4	
Height, Mast Lowered	h1	mm	2050 <sup>②</sup>	2130 <sup>②</sup>	
Free Lift (load backrest)	h2	mm	0 <sup>②</sup>	120 <sup>②</sup>	
Lift Height	h3	mm	3000 <sup>②</sup>	3000 <sup>②</sup>	
Height, Mast Extended	h4	mm	3860 <sup>②</sup>	4065 <sup>②</sup>	
Height of Overhead Guard (cabin)	h6	mm	2235	2210	
Seat Height/ Standing Height	h7	mm	335	1200	
Height of Wheel Arms	h8	mm	280	330	
Overall Length (minimum)	l1	mm	2335 <sup>②</sup>	2470 <sup>①</sup>	
Length to Face of Forks	l2	mm	1265 <sup>②</sup>	1400 <sup>①</sup>	
Overall Width	b1/ b2	mm	1078/1090	1260/1270 <sup>②</sup>	
Fork Dimensions	s/e/ l	mm	40x100x1070		40x120x1070
Fork Carriage Class/Type A, B		mm	A		
Fork Carriage Width	b3	mm	830	990	
Outside Width of The Forks	b5	mm	200-620	200/770	240/770
Distance Between Wheel Arms/ Loading Surfaces	b4	mm	750	915	
Reach Distance	l4	mm	665 <sup>②</sup>	520 <sup>①</sup>	
Ground Clearance, Laden, Below Mast	m1	mm	70	70	
The Minimum Ground Clearance of Frame	m2	mm	70	20 <sup>②</sup>	
Aisle Width for Pallets 1000 x 1200 Crossways	Ast	mm	2745 <sup>②</sup>	2827 <sup>①</sup>	2842 <sup>①</sup>
Aisle Width for Pallets 800 x 1200 Lengthways	Ast	mm	2770 <sup>②</sup>	2891 <sup>①</sup>	2893 <sup>①</sup>
Turning Radius	Wa	mm	1765	1705 <sup>①</sup>	1770 <sup>①</sup>
Length Across Wheel Arms (Exclusive Fork)	l7	mm	1912	1865 <sup>①</sup>	1935 <sup>①</sup>
Performance Data					
Travel Speed, Laden/Unladen		km/h	8.5/9	10/11	9/9.5
Lifting Speed, Laden/Unladen		m/s	0.28/0.44	0.45/0.52	0.40/0.45
Lowering Speed, Laden/Unladen		m/s	0.52/0.48	0.45/0.38	0.44/0.40
Reaching Speed, Laden/Unladen		m/s		0.1/0.1	
Max. Gradeability, Laden/Unladen		%	8/10	10/15	
Service Brake Type				Electromagnetic	
Park Brake Type				Electromagnetic	
Electric-engine					
Drive Motor Rating S2 60min		kW	4	6.4	
Lift Motor Rating S3 15%		kW	8.2	11	13
The Maximum Allowed Size Battery		mm	1030x353x784	1220x355x778	1220x427x778
Battery Voltage/nominal Capacity K5		V/ Ah	48V/420Ah <sup>②</sup>	48/500 <sup>②</sup>	48/500 <sup>②</sup>
Battery Weight		kg	739 <sup>②</sup>	925 <sup>②</sup>	925 <sup>②</sup>
Addition Data					
Type of Drive Unit				AC	
Steering Type				Electronic	
Sound Pressure Level at The Driver's Ear		dB (A)		75	

1. ①, ②, ③, ④, ⑤, ⑥ in the parameters is optional configuration, Please see the corresponding schedule;

2. ② in the CQD20 parameters, When mast lifting height  $h_3 \geq 10m$ , tyre size of loading wheels for  $\Phi 310 \times 208mm$ , loading wheels track width for 1238mm, overall width for 1260/1450mm, center of wheelbase at ground clearance for 20mm.

3. ② in the CQD16 parameters, with two caster wheels and size for  $\Phi 102 \times 55mm$  When mast lifting height  $h_3 \geq 8m$ ;  
 ③ in the CQD20 parameters, with two caster wheels and size for  $\Phi 102 \times 51mm$  When mast lifting height  $h_3 < 10m$ ;

If there are improvements of technical parameters or configurations, no further notice will be given.

The diagram shown may contain non-standard configurations.

①Service weight (include battery)

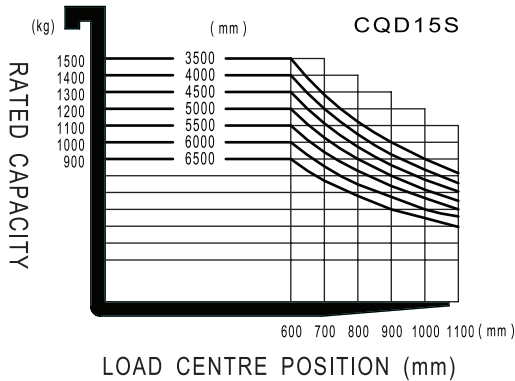
CQD15S	
Mast height (mm)	Service weight (kg)
2-stage mast	
2700	2345
3000	2370
3300	2395
3640	2420
4000	2445
4300	2470

3-stage mast	
4000	2510
4500	2540
5000	2570
5500	2600
6000	2630
6500	2660
7000	2650
7500	2680

①Service weight (include battery)

Mast height (mm)	Service weight (kg)		
2-stage mast	CQD16RVH	CQD16RV(F)	CQD20RV(F)
3000	2760	2940	2945
3300	2790	2970	2975
3640	2820	3000	3005
4000	2850	3030	3035
4300	2880	3060	3065
4520	2910	3090	3095
5000	2940	3120	3125
5480	2970	3150	3155
6000	3000	3180	3185
3-stage mast	CQD16RVH	CQD16RV(F)	CQD20RV(F)
4050	3060	3240	3245
4500	3110	3290	3295
5000	3160	3340	3345
5500	3210	3390	3395
6000	3260	3440	3445
6500	3310	3490	3495
7000		3540	3545
7500		3590	3595
8000		3870	3875
8500		3925	3930
9000		3980	3985
9500		4035	4040
10000			4570
10500			4630
11000			4690
12000			4810

RATED CAPACITIES GRAPH



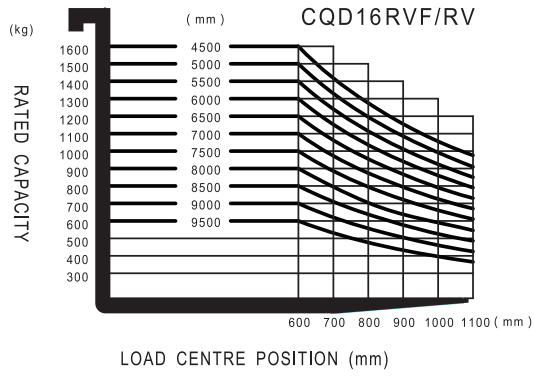
② Dimensions(mm)

		without side shift		with side shift	
		2-stage mast	3-stage mast	2-stage mast	3-stage mast
Overall length (minimum)	I1	2335	2357	2370	2392
Length to face of forks	I2	1265	1287	1300	1322
Reach distance	I4	665		630	
Aisle width for pallets 1000×1200 crossways	Ast	2745	2760	2763	2783
Aisle width for pallets 800×1200 lenthways	Ast	2770	2790	2801	2820
Aisle width for pallets 1000×1200 lenthways	Ast	2825	2843	2853	2872
Aisle width for pallets 800×1200 crossways	Ast	2635	2645	2651	2662

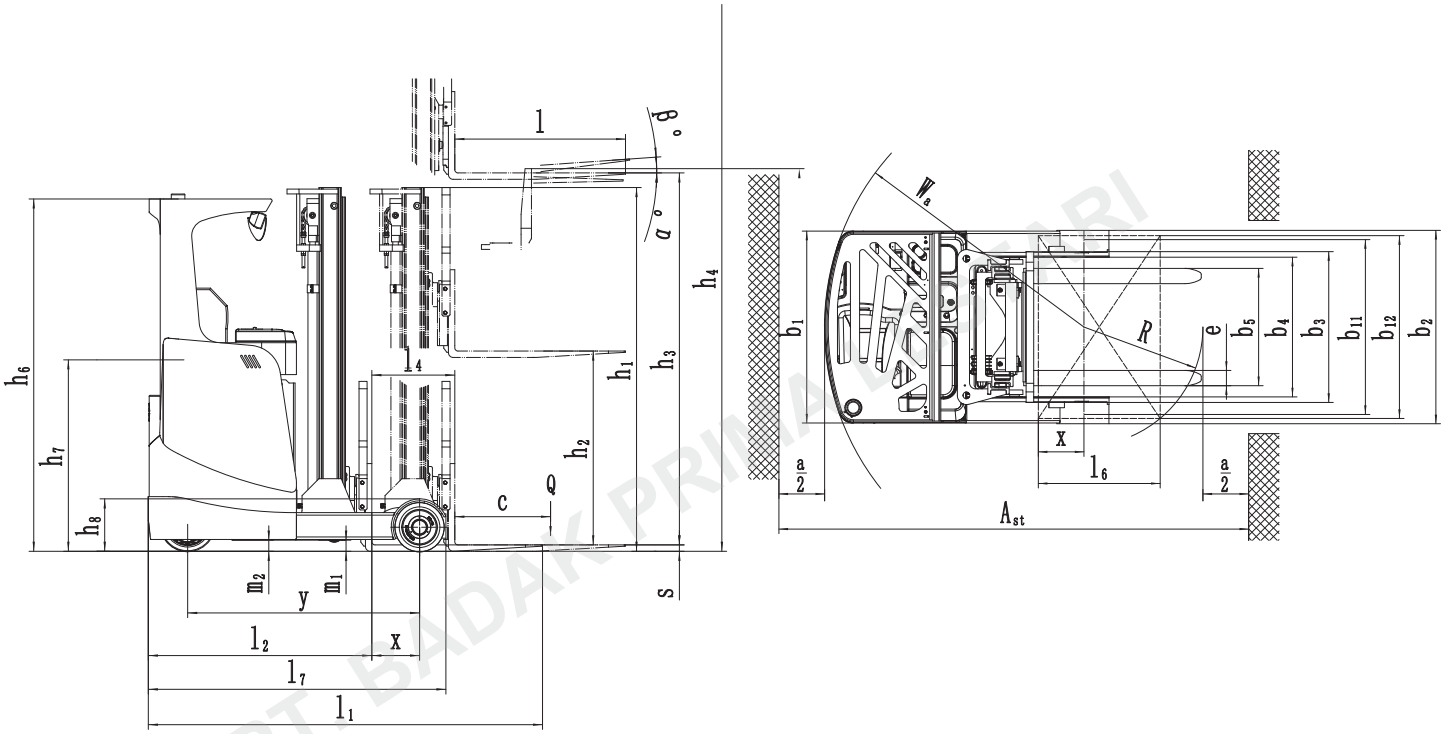
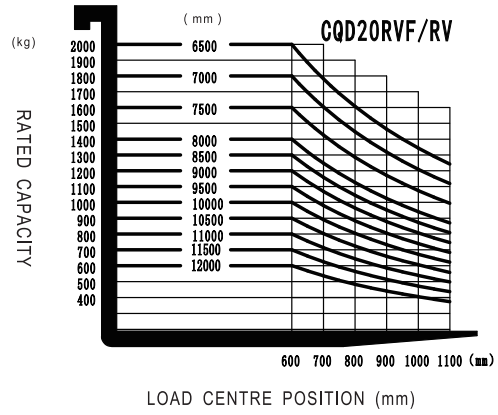
②Dimensions(mm)

with side shift		CQD16				CQD20						
Mast style		2-stage mast	3-stage mast	3-stage mast	2-stage mast	3-stage mast	3-stage mast	3-stage mast	2-stage mast	3-stage mast	3-stage mast	3-stage mast
Lift height $h_3$		$h_3 < 7m$	$h_3 \leq 7.5m$	$8m \leq h_3 \leq 9.5m$	$h_3 < 7m$	$h_3 \leq 7.5m$	$8m \leq h_3 \leq 9.5m$	$10m \leq h_3 \leq 11m$	$h_3 < 7m$	$h_3 \leq 7.5m$	$8m \leq h_3 \leq 9.5m$	$10m \leq h_3 \leq 11m$
Battery capacity		$\leq 600Ah$						700Ah, 750Ah				
Wheelbase	y	1454	1454	1524	1524	1524	1594	1594	1524	1524	1594	1594
Overall length (minimum)	I1	2472	2498	2503	2472	2498	2503	2507	2542	2568	2573	2577
Length to face of forks	I2	1402	1428	1433	1402	1428	1433	1437	1472	1498	1503	1507
Reach distance	I4	520	495	555	585	560	625	625	515	490	555	555
Aisle width for pallets 1000×1200 crossways	Ast	2827	2847	2864	2842	2860	2884	2886	2894	2913	2934	2937
Aisle width for pallets 800×1200 lenthways	Ast	2891	2914	2921	2893	2917	2928	2932	2957	2980	2991	2995
Aisle width for pallets 1000×1200 lenthways	Ast	2932	2958	2967	2941	2963	2977	2981	3002	3024	3037	3041
Aisle width for pallets 800×1200 crossways	Ast	2686	2703	2728	2709	2725	2757	2760	2752	2769	2798	2800
Turning radius	Wa	1705		1770		1840		1770		1840		
Length across wheel arms (exclusive fork)	I7	1865		1935		2005		1935		2005		

RATED CAPACITIES GRAPH



RATED CAPACITIES GRAPH



⊙Mast

CQD15S : without side shift

2-stage mast			
Lift height	Lowered mast height	Extended mast height	
h3	h1	h4	h4(*)
2700	1900	3560	3266
3000	2050	3860	3566
3300	2200	4160	3866
3640	2370	4500	4206
4000	2550	4860	4566
4300	2700	5160	4866

Note: (\*) for without backrest

CQD15S : 3-stage mast

Lift height	Lowered mast height	Free lift		Extended mast height	
h3	h1	h2	h2(*)	h4	h4(*)
4000	1930	1060	1060	4860	4700
4500	2100	1240	1240	5360	5200
5000	2270	1400	1400	5860	5700
5500	2440	1580	1580	6360	6200
6000	2610	1740	1740	6860	6700
6500	2780	1920	1920	7360	7200
7000	2950	2080	2080	7860	7700
7500	3120	2260	2260	8360	8200

Note: (\*) for without backrest

CQD15S : with side shift

2-stage mast			
Lift height	Lowered mast height	Extended mast height	
h3	h1	h4	h4(*)
2700	1900	3735	3266
3000	2050	4035	3566
3300	2200	4335	3866
3640	2370	4675	4206
4000	2550	5035	4566
4300	2700	5335	4866

Note: (\*) for without backrest

CQD15S : 3-stage mast

Lift height	Lowered mast height	Free lift		Extended mast height	
h3	h1	h2	h2(*)	h4	h4(*)
4000	1930	895	1060	5035	4700
4500	2100	1065	1240	5535	5200
5000	2270	1235	1400	6035	5700
5500	2440	1405	1580	6535	6200
6000	2610	1575	1740	7035	6700
6500	2780	1745	1920	7535	7200
7000	2950	1915	2054	8035	7700
7500	3120	2085	2234	8535	8200

Note: (\*) for without backrest